



**ICE QUEEN UNDER THE COUNTER/MODULAR / 200 C / 300 C**



**IQ 200 C**

Daily Production / Ice Storage

220 Lbs. / 44 Lbs..

100 Kg. / 20Kg.



**IQ 300 C**

Daily Production / Ice Storage

360 Lbs. / 132 Lbs..

163 Kg. / 60 Kg.

**ICE QUEEN SELF CONTAINED 200 C / 300 C FLAKE ICE MACHINES**

**Standard Features**

**FLAKE ICE:** Humidity 50-60%. The best ice for so many applications.



**SEAFOOD:** Supermarkets, Fisheries, Fish Shops, Seafood Restaurants, Boating, Marinas.



**HEALTHCARE & RESEARCH:** Hospitals, Laboratories, Universities, Assisted Living, Nursing Homes.



**SPORTS:** Football, Basketball, Baseball, Athletics, Swimming, Soccer, Track & Field, Traumas, Pre and Post Training, Spas, Sports Medical Facilities. Rest + Ice + Compression + Elevation Fist Aid Method.



**DRINKS:** Soft drinks, Smoothies. I love to chew my ITV's flake ice!



**STRONG MECHANICS:** ITV's unique mechanic design is simple, strong and reliable. It will give a longer life to your flaker, and shorten service times and costs. Oversized gearbox. Patented Auger design for greater longevity of the ice maker.



**SECURITY CONTROLS:** The machine is protected to avoid failures caused by gearbox motor temperature, water level, or ice level, besides a defrost time delay.



**ELECTROMECHANICAL CONTROLS:** The machine works with electromechanical timer and thermostats. Simple, easy to comprehend and service. High reliability and low maintenance expense.



**EASY ACCESS FOR SERVICE AND INSTALLATION:** Designed to have better access to all components making installation and servicing operations easier. One person can disassemble the entire machine with a basic screwdriver.



**OPERATING LIMITS:** Tropicalized machines (Class T); Suitable for low temperature environments of 41° (5°C) Air and Water and high temperature environments of 109°F (43°C) (Air), 95°F (35°C) (Water) Water pressure: Min. 10 psi. (0.7 bar.)/ Max. 85 psi. (6 bar.).  
NOTE: Install a pressure reducer if water inlet pressure is more than 85 psi. (6 bar.).



**ELECTRICAL SPECIFICATIONS:** 115V/60Hz./1 - Fuse Size 15-20 - Nema Plug Type 5-15P. Also available 220V/50Hz. (Special Order Only)

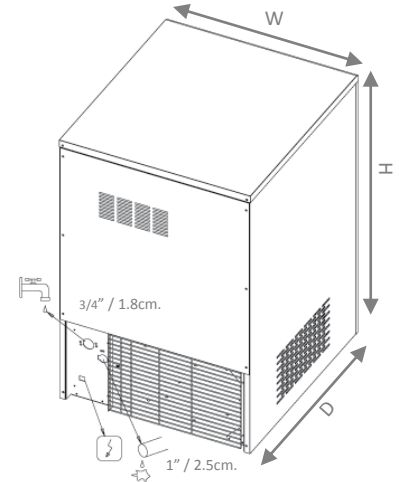


**WARRANTY:** 24 months parts and labor + 12 additional months parts on compressor + 36 additional months parts on Auger. Valid in the U.S. and Canada. Contact ITV for warranty in other countries.

## ICE QUEEN UNDER THE COUNTER/MODULAR / 200 C / 300 C

### Dimensions (Inch./Cm.)

IQ SERIES	W	D	H
IQ 200 C	18 1/4" / 47 cm.	23 3/8" / 60 cm.	31 1/4" / 80 cm.
IQ 300 C	20 1/4" / 52 cm.	21 3/4" / 55 cm.	53 3/8" / 136 cm.



4" to 6" / 10.2 cm. to 15.2 cm. Leveling Legs  
Drain Height 5.5" / 13.7 cm.

Dimensions do not include adjustable legs from 4" (10.2 cm.) to 6" (15.2 cm.)

Units do not require legs for usage. (Local municipal requirement rules may vary)

### General Specifications

IQ SERIES		Production					Storage Lbs./ Kg.	Water Usage gal./hr. / l./ hr. 90°F/70°F	Voltage	Amps.	R404A* oz.	Net Weight Lbs./ Kg.	Filtration Kit
		70°F Air/50°F Water		90°F Air/70°F Water									
Item #	Model #	Lbs./ 24 h.	Kg./ 24 h.	Lbs./ 24 h.	Kg./ 24 h.								
10214	IQ 200 C A	220	100	140	64	44/20	1.1/4.2	115V/60Hz/1	5.5	10.06	128/58	CS-101 K	
10215	IQ 200 C W*	225	102	145	66	44/20		115V/60Hz/1	5	7.77	128/58		
10104	IQ 300 C A	360	163	260	118	132/60	1.8/6.8	115V/60Hz/1	7	12.36	165/75	CS-111 K	
10105	IQ 300 C W*	365	166	265	120	132/60		115V/60Hz/1	6.5	13.41	165/75		

A: Air—Cooled / W: Water—Cooled.

\*Water cooled units: available special order only, restrictions may apply. Please contact your dealer for details.

**Shipping Weight: IQ 200 C:** 169 Lbs. (77 Kg.) / **IQ 300 C:** 253 Lbs. (115 Kg.)

Due to our continuous efforts for improving and developing our range of products, ITV Ice Makers, Inc. reserves the right of changing features with no previous notice.

### Ice Shape



"Fine" Style Ice Flakes



ICE QUEEN Flakes