



ALFA FULL CUBE

## ALFA SELF CONTAINED NG 175 / NG 265 / NG 355 ICE CUBE MAKERS



ALFA NG 175

Daily Production / Ice Storage

170 Lbs. / 75 Lbs.

77 kg. / 34 kg.



ALFA NG 265

Daily Production / Ice Storage

270 Lbs. / 123 Lbs.

118 kg. / 56 kg.



\*\*ALFA NG 355

Daily Production / Ice Storage

352 Lbs. / 163 Lbs.

160 kg. / 74 kg.

### Standard Features



#### WATER FLOW SPRAY DISTRIBUTION SYSTEM

The spray nozzle, patented by ITV, does not allow calcareous build-up and produces solid transparent ice cubes which take longer to melt.



#### DYNAMIC PRODUCTION

The water is constantly circulating and the ice gradually forms in thin layers, avoiding trapped gasses and producing crystal clear ice cubes. Only the purest of ice cubes are produced.



#### SILENT RAIN

All parts in contact with water have been designed to minimize their friction resulting in a very low noise level.



#### ELECTROMECHANICAL CONTROLS

The machine works with electromechanical timer and thermostats. Simple, easy to comprehend and service. High reliability and low maintenance expense.



#### DUAL SWITCH CONTROL

External switch allows to turn the machine on/off easily. Removing the top cover, we have the ice/wash switch on one side of the electrical box.



#### STRONG INOX FRAME. 304 STAINLESS STEEL CONSTRUCTION

Box-type frame with stainless steel supports, makes the machine stronger and allows servicing operation without disassembling the entire machine.



#### EASY ACCESS FOR SERVICE AND INSTALLATION

Designed to have better access to all components making installation and servicing operations easier. One person can disassemble the entire machine with a basic screwdriver.



#### FRONT VENTILATION

Condensing unit permits 100% front ventilation, air inflow and outflow through the front grill.



#### INSULATED STORAGE BIN

Storage bin with polyurethane foam insulation gives higher rigidity with lower heat transmission. Isolated but not refrigerated bins.



#### OPERATING LIMITS

Tropicalized machines (Class T); Suitable for low temperature environments of 41° (5°C) Air and Water and high temperature environments of 109°F (43°C) (Air), 95°F (35°C) (Water) Water pressure: Min. 10 psi. (0.7 bar.)/ Max. 85 psi. (6 bar.).

NOTE: Install a pressure reducer if water inlet pressure is more than 85 psi. (6 bar.).



#### ELECTRICAL SPECIFICATIONS

115V/60Hz/1 - Fuse Size 15-20 - Nema Plug Type 5-15P. **NG 265**—Nema Plug Type 5-20P. Also available 220V/50Hz ( Special order only).

\*\***NG 355**—208-230V/60Hz/1. Nema Plug Type 6-15P.



#### WARRANTY

36 months parts and labor + 24 additional months parts on compressor and evaporator.

ALFA SELF CONTAINED NG 175 / NG 265 / NG 355 ICE CUBE MAKERS

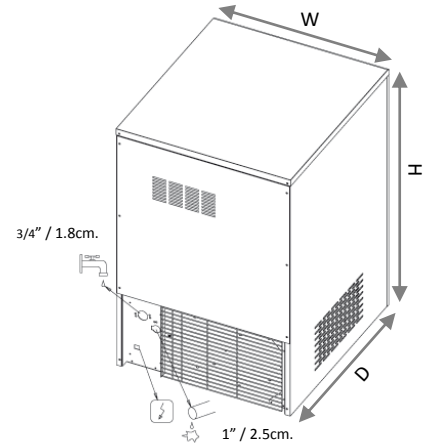
## ALFA SELF CONTAINED NG 175 / NG 265 / NG 355 ICE CUBE MAKERS

### Dimensions (Inch./Cm.)

ALFA	W	D	H
NG 175	28 1/8" / 72 cm.	23 3/8" / 60 cm.	37 1/8" / 95 cm.
NG 265		27 5/8" / 70 cm.	41 3/8" / 105 cm.
NG 355	33 7/8" / 86 cm.	27 5/8" / 70 cm.	

Dimensions do not include adjustable legs from 4" (10.2 cm.) to 6" (15.2 cm.)

Units do not require legs for usage. (Local municipal requirement rules may vary)



4" to 6" / 10.2 cm. to 15.2 cm. Leveling Legs  
Drain Height 5.5" / 13.7cm.

### General Specifications

ALFA		Production				Cubes	Storage Lbs./ Kg.	Water Usage gal./hr. / l. / hr. 90°F/70°F	Power W	Amps.	R404A oz.	Net Weight Lbs./ Kg.	Filtration Kit
		70°F Air/50°F Water		90°F Air/70°F Water									
Item #	Model #	Lbs./ 24 h.	Kg./ 24 h.	Lbs./ 24 h.	Kg./ 24 h.	Cycle							
16074	NG 175 A	170	77	132	60	60	75/34	5.2/19.7	775	10	14.83	152/69	CS-101 K
16075	NG 175 W*	180	82	141	64	60	75/34		775	10	10.94	152/69	
16094	NG 265 A	270	118	202	92	72	123/56	5.8/22.0	1150	13	38.83	196/89	CS-111 K
16095	NG 265 W*	275	125	216	98	72	123/56		1150	13	35.3	196/89	
16144**	NG 355 A	352	160	275	125	128	163/74	6.3/24.0	1350	10	52.95	209/95	CS-111 K
16145**	NG 355 W*	365	166	286	130	128	163/74		1350	10	35.3	209/95	

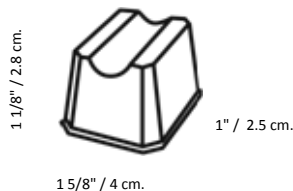
A: Air—Cooled / W: Water—Cooled. \*Water Cooled Units: Available special order only with restrictions/requirements. Please contact your dealer for details.

\*\* Model 355 - 208 voltage.

**Shipping Weight:** NG 175: 209 Lbs. (95 Kg.) / NG 265: 255 Lbs. (116 Kg.) / NG 355: 291 Lbs. (132Kg.)

Due to our continuous efforts for improving and developing our range of products, ITV Ice Makers, Inc. reserves the right of changing features with no previous notice.

### Ice Shape



ALFA Cubes